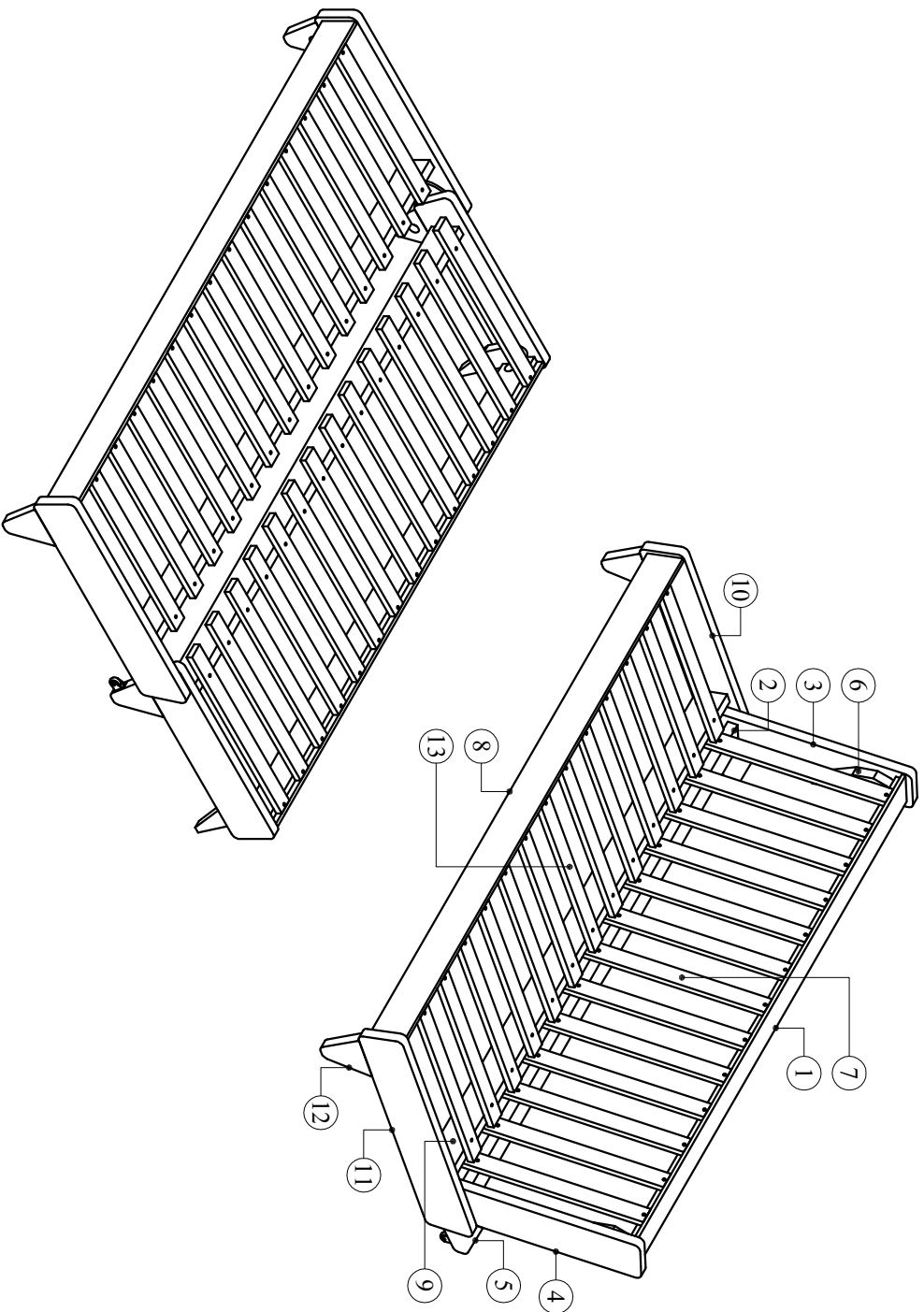




# ZURICH

## ASSEMBLY INSTRUCTION

*Thank you for choosing our product.  
Before assembling your Bed, please read through these  
instructions carefully, familiarising yourself with the different parts.*



### LIST OF COMPONENTS BOX # 1 / 1

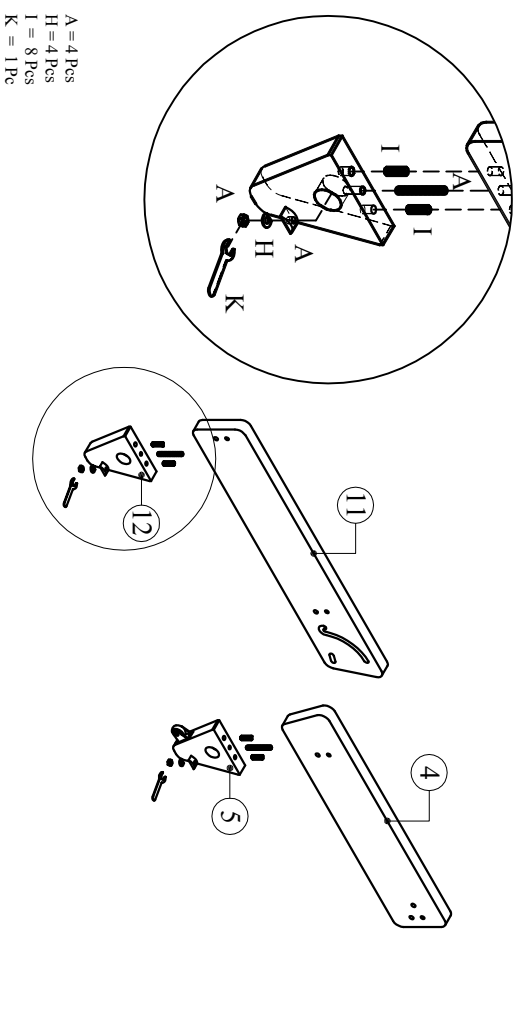
1	FRONT LONG RAIL BACK DECK	1 Pe
2	BACK LONG RAIL BACK DECK	1 Pe
3	RIGHT SIDE RAIL BACK DECK	1 Pe
4	LEFT SIDE RAIL BACK DECK	1 Pe
5	LEG BACK DECK	2 Pcs
6	LEG SUPPORT BACK DECK	2 Pcs
7	SLAT BACK DECK	14 Pcs
8	FRONT LONG RAIL SEAT DECK	1 Pe
9	BACK LONG RAIL SEAT DECK	1 Pe
10	RIGHT SIDE RAIL SEAT DECK	1 Pe
11	LEFT SIDE RAIL SEAT DECK	1 Pe
12	LEG SEAT DECK	2 Pcs
13	SLAT SEAT DECK	14 Pcs

### HARDWARE BOX # 1 / 1

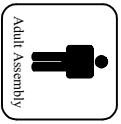
A	Bolt Fitting M8 x 60mm	12 Pcs	
B	Bolt JCB/M8 x 50mm	2 Pcs	
C	1 1/4" Screw	56 Pcs	
D	Ø12 x 50mm Metal Pin	4 Pcs	
E	Ø20 x 30mm Plastic Roller	2 Pcs	
F	12 x 28mm Washer	4 Pcs	
G	8 x 28mm Washer	2 Pcs	
H	Washer	12 Pcs	
I	Ø10 x 30mm Wood Dowel	16 Pcs	
J	15 Allen Key	1 Pc	
K	12mm Wrench	1 Pc	

### Step 1

Assembly  
Leg to Side Rail R/L

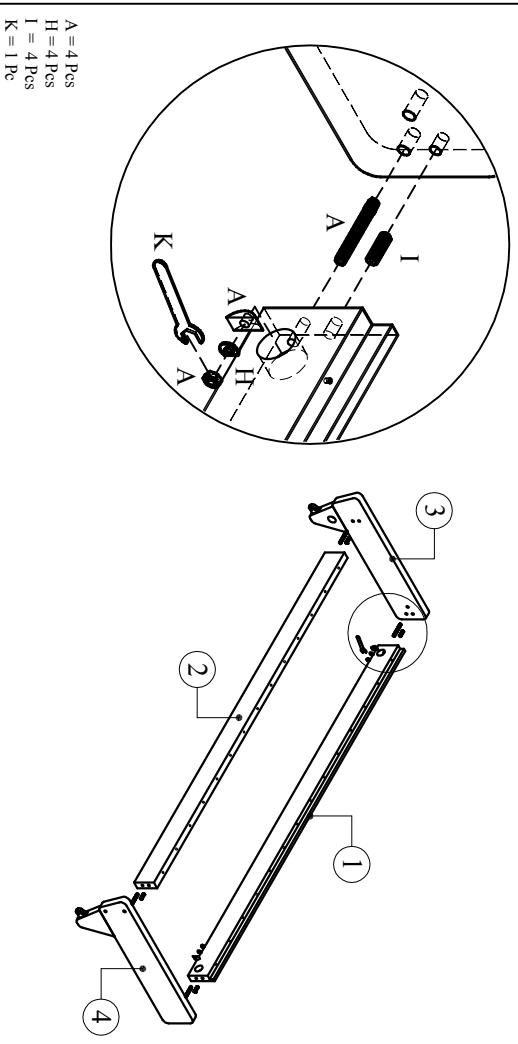


- A = 4 Pes
- H = 4 Pes
- I = 8 Pes
- K = 1 Pc



### Step 2

Assembly  
Back Deck

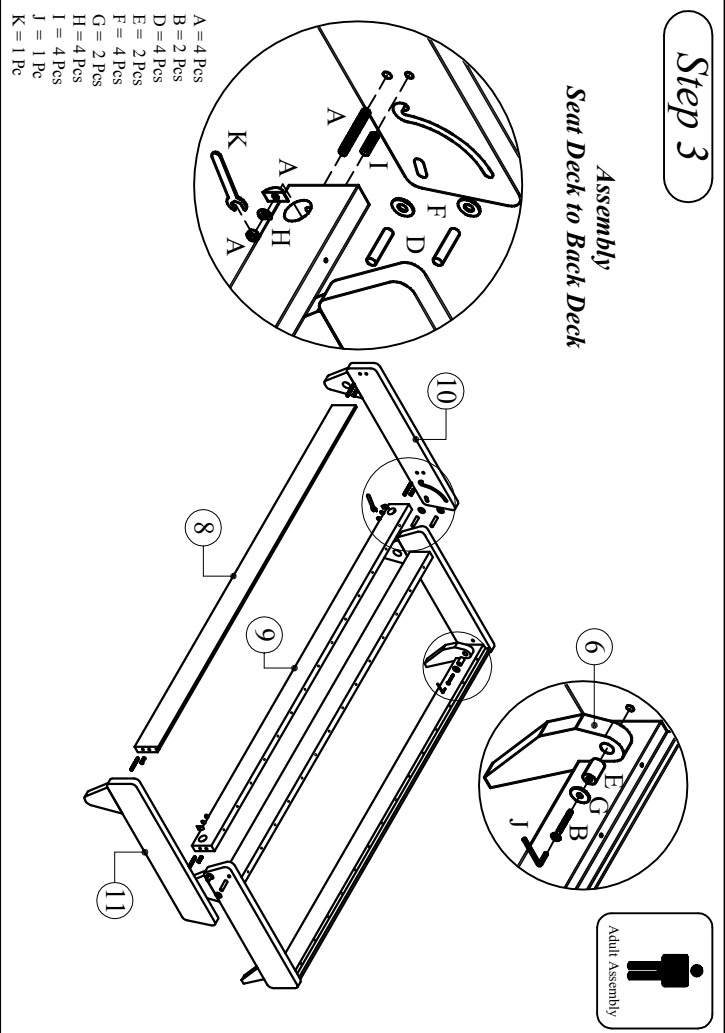


- A = 4 Pes
- H = 4 Pes
- I = 4 Pes
- K = 1 Pc

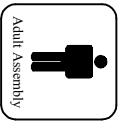


### Step 3

Assembly  
Seat Deck to Back Deck

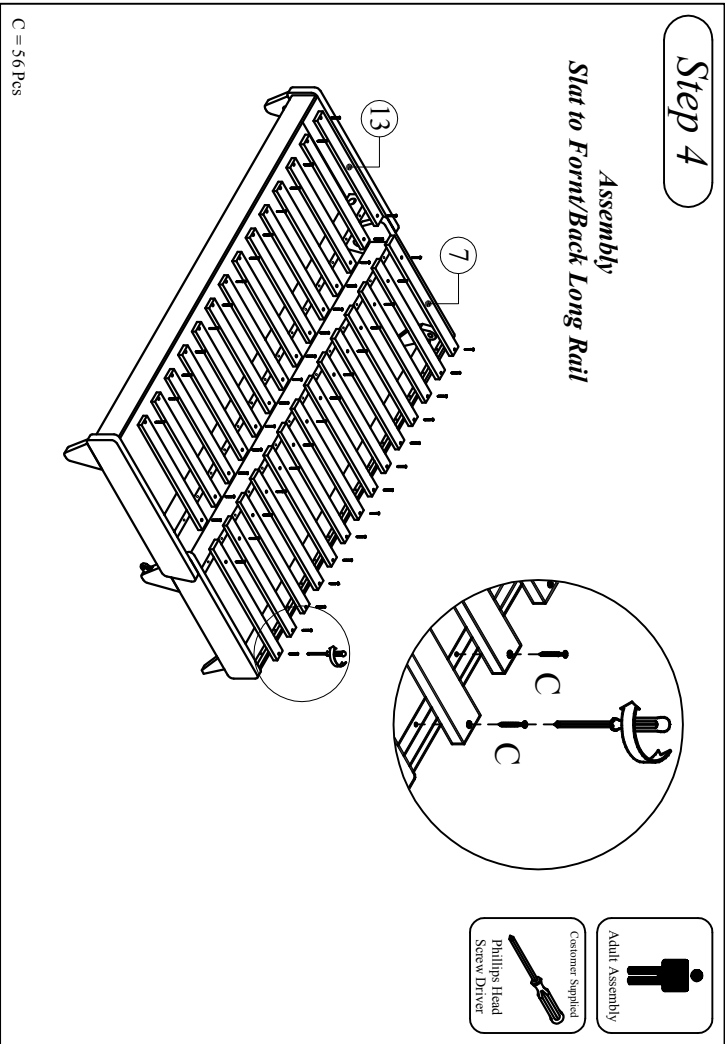


- A = 4 Pes
- B = 2 Pes
- D = 4 Pes
- E = 2 Pes
- F = 4 Pes
- G = 2 Pes
- H = 4 Pes
- I = 4 Pes
- J = 1 Pc
- K = 1 Pc



### Step 4

Assembly  
Slat to Form/Back Long Rail



- C = 56 Pes

