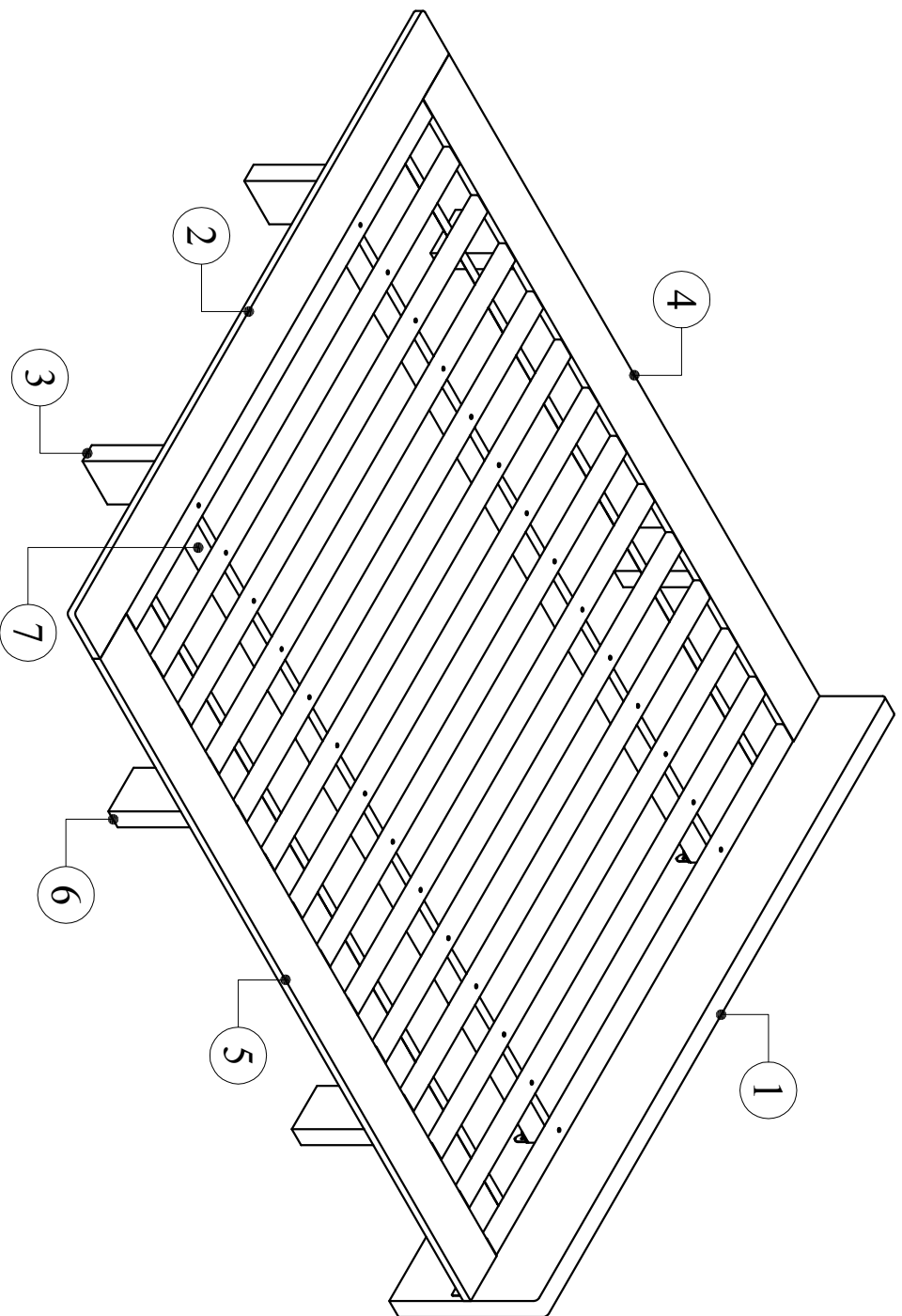
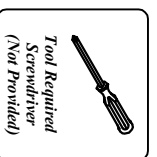




MILANO BED

ASSEMBLY INSTRUCTION

Thank you for choosing our product.
 Before assembling your Bed, please read through these
 instructions carefully, familiarising yourself with the different parts.



LIST OF COMPONENTS BOX # 1 / 2

1	PANEL HEADBOARD	1 Pc
2	PANEL FOOTBOARD	1 Pc
3	LEG FOOTBOARD	2 Pcs
4	RIGHT SIDE RAIL	1 Pc
5	LEFT SIDE RAIL	1 Pc
6	LEG SIDE RAIL	4 Pcs
7	SLAT SUPPORT	2 Pcs

LIST OF COMPONENTS BOX # 2 / 2

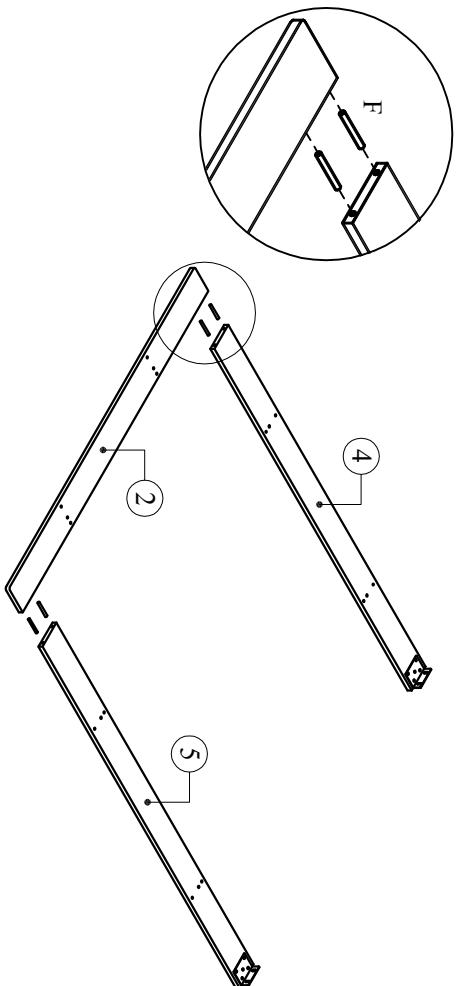
1	SLAT KIT	1 Set
2		
3		

HARDWARE BOX # 1 / 2

A	Bolt JCBC M6 x 130mm	12 Pcs	
B	Bolt JCBC M6 x 16mm	4 Pcs	
C	Bolt JCBC M8 x 16mm	4 Pcs	
D	1 1/4" Wood Screw	28 Pcs	
E	5/8" Wood Screw	4 Pcs	
F	Ø9.8 x 80mm Metal Pin	8 Pcs	
G	25mm Bracket	4 Pcs	
H	Ø10 x 30mm Wood Dowel	14 Pcs	
I	L4 Allen Key	1 Pc	
J	L5 Allen Key	1 Pc	

Step 1

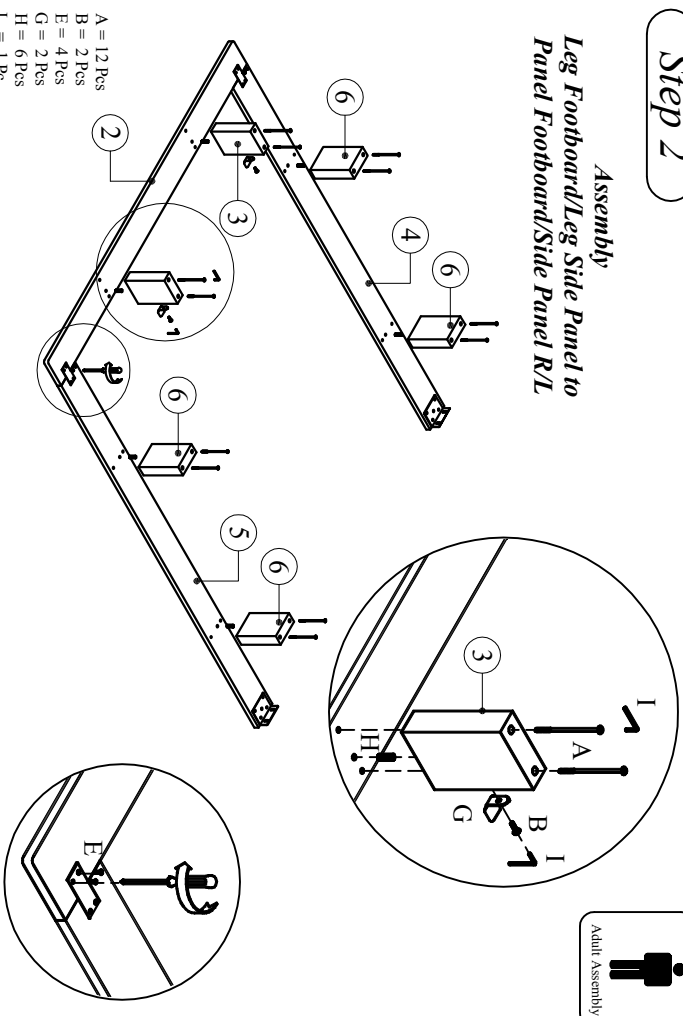
Assembly:
Panel Footboard to Side Panel R/L



F = 4 Pcs

Step 2

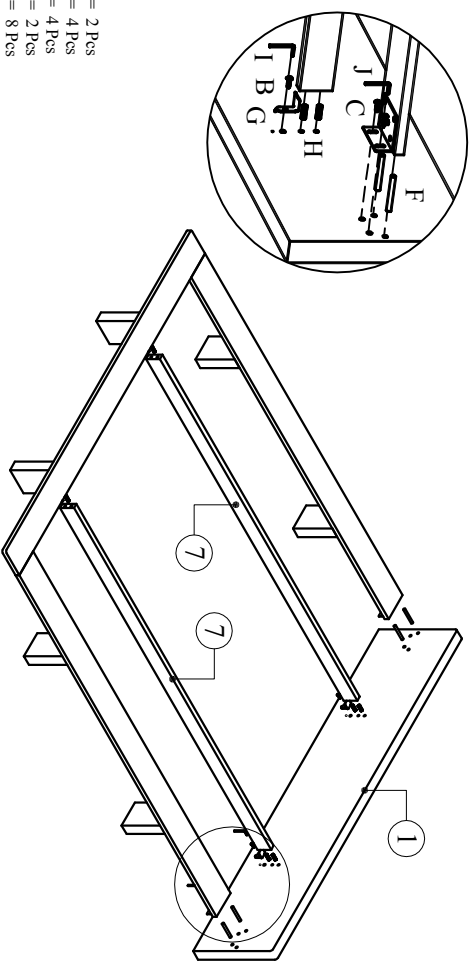
Assembly:
Leg Footboard/Leg Side Panel to
Panel Footboard/Side Panel R/L



A = 12 Pcs
B = 2 Pcs
E = 4 Pcs
G = 2 Pcs
H = 6 Pcs
I = 1 Pc

Step 3

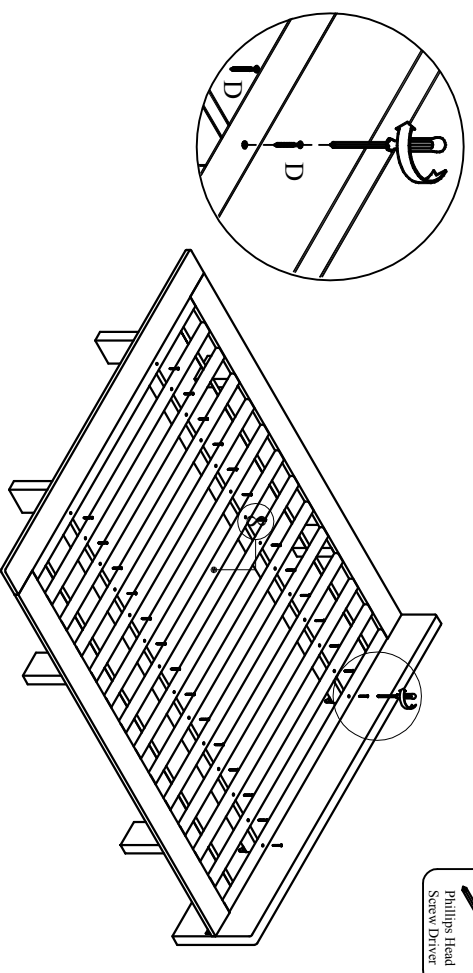
Assembly:
Slat to Slat Support



B = 2 Pcs
C = 4 Pcs
F = 4 Pcs
G = 2 Pcs
H = 8 Pcs
I = 1 Pc
J = 1 Pc

Step 4

Assembly:
Slat to Slat Support



Customer supplied
Phillips Head
Screw Driver

D = 28 Pcs